

ISSUE 2; February 2017

Description

- Resistance welded, hermetically sealed metal package sealed in an inert atmosphere with glass to metal seals securing the lead wires. The lead wires are formed into a gull wing and mounted on a plastic former and is suitable for automotive applications. Qualified to AEC-Q200 and with TS16949 release.

Frequency Parameters

- Frequency: 3.01MHz to 100.0MHz
- Frequency Tolerance: $\pm 10.00\text{ppm}$ to $\pm 50.00\text{ppm}$
- Frequency Stability: $\pm 15.00\text{ppm}$ to $\pm 100.00\text{ppm}$
- Ageing: $\pm 5\text{ppm}$ max per year @ 25°C

Electrical Parameters

- Load Capacitance (CL): 10.0pF to 75.0pF
- Shunt Capacitance (C0): 7pF max
- Drive Level: 50µW standard

Operating Temperature Ranges

- 40 to 85°C
- 40 to 125°C

Environmental Parameters

- Storage Temperature Range: -40 to 150°C
- Qualified to AEC-Q200

Ordering Information

- Frequency*
- Model*
- Frequency Tolerance (@25°C)*
- Frequency Stability (over operating temperature range)*
- Operating Temperature Range*
- Load Capacitance*
- Overtone*
- Example
10.00MHz HC49/4HSMX AUTO
50/100/-40 to 125C/16 FUND

Compliance

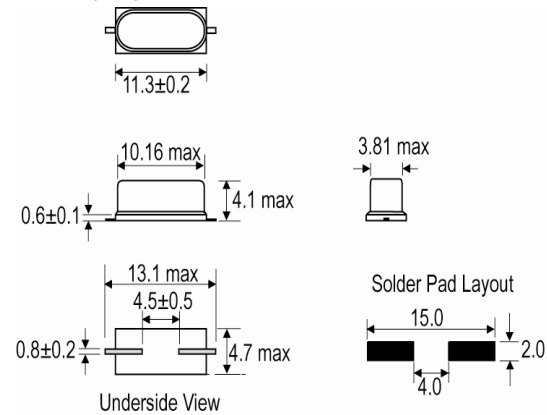
- RoHS Status (2011/65/EU): Compliant
- REACH Status: Compliant
- MSL Rating (JEDEC-STD-033): Not Applicable

Packaging Details

- Pack Style: Cutt On tape cut from a reel
Pack Size: 1
- Pack Style: Bulk Loose in bulk pack
Pack Size: 100
- Pack Style: Reel Tape & reel in accordance with EIA-481-D
Pack Size: 2,000



Outline (mm)



Sales Office Contact Details:

UK: +44 (0)1460 270200
Germany: 0800 1808 443

France: 0800 901 383
USA: +1.760.318.2824

Email: info@iqdfrequencyproducts.com
Web: www.iqdfrequencyproducts.com

Electrical Specification - maximum limiting values

Frequency Min	Frequency Max	Temperature Range	Stability (Min)	Over Tone Order	ESR
		°C	ppm		Ω
3.01MHz	4.0MHz	-40 to 85 -40 to 125	±15 ±50	Fundamental	300
4.000001MHz	5.5MHz	-40 to 85 -40 to 125	±15 ±50	Fundamental	130
5.500001MHz	8.0MHz	-40 to 85 -40 to 125	±15 ±50	Fundamental	80
8.000001MHz	40.0MHz	-40 to 85 -40 to 125	±15 ±50	Fundamental	60
26.0MHz	100.0MHz	-40 to 85 -40 to 125	±15 ±50	3rd Overtone	100

*Stability Maximum values ±100ppm

This document was correct at the time of printing; please contact your local sales office for the latest version.

[Click to view latest version on our website.](#)

Sales Office Contact Details:

UK: +44 (0)1460 270200
Germany: 0800 1808 443

France: 0800 901 383
USA: +1.760.318.2824

Email: info@iqdfrequencyproducts.com
Web: www.iqdfrequencyproducts.com